

DL Series

LED DOCK LIGHT

Specialized Loading Dock Solution

by **RCA** COMMERCIAL ELECTRONICS



Shown with optional mounting arm.

SPECIFICATIONS

Voltage	120-277 VAC
Wattage	40W
Color Temp	5000K
Housing	Integrally formed 6063 aluminum
Color	Silver
Lens	Polycarbonate
Beam Angle	115°
Ambient Temperature	-20°C (-4°F) to 55°C (131°F)
Lifetime	50,000 hrs L80
CRI	≥80
Efficacy	125 lm/W
Warranty	5 Year Limited Warranty

LUMENS

40W
5,000

PRODUCT ORDERING SELECTION

DL11240SW50

Series

DL11240SW50 - Dock Light / 40W / 5000K / 5000 Lumens

OPTIONS

L7LUMBRA - Wall Mount Arm For DL Series Dock Light

SOLAS RAY™ LIGHTING

5935 West 84th St. | Indianapolis, IN 46278 | 1-800-840-5635 | www.SolasRay.com

Cat. #	Type
Notes	

CERTIFICATIONS / RATINGS



KEY FEATURES AND BENEFITS

- Advanced design overhead mounted LED dock light.
- Casts light directly into trailers & containers for improved safety.
- 0-10V dimming capabilities allow the right amount of light to enter the trailer.
- Integrated motion sensor turns the dock light On only when it is needed.
- Adjustable bracket allows light to be directed where it is most needed.
- -20°C (-4°F) to 55° (131°F) ambient temperature range.
- 5 year limited warranty.
- 2-piece robust wall mount arm available.



DL Series

LED DOCK LIGHT

OPTIONAL MOUNTING ARM

Rugged wall mount arm for the DL series dock light. Designed to UPS specifications. 2-piece design breaks down for shipping purposes. Cable gland included at the base to allow wiring to be run through the arm.

PART NUMBER: L7LUMBRA

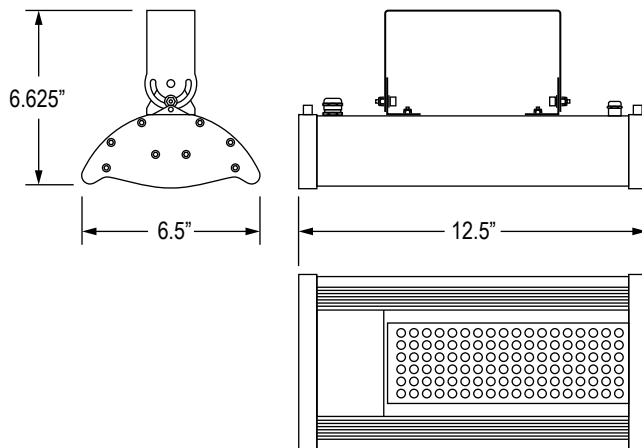


WEIGHTS AND DIMENSIONS

WEIGHTS

DL Dock Light	6 lb
Mounting Arm	27 lb

DL SERIES DOCK LIGHT



OPTIONAL MOUNTING ARM (L7LUMBRA)

