

HJDS Series

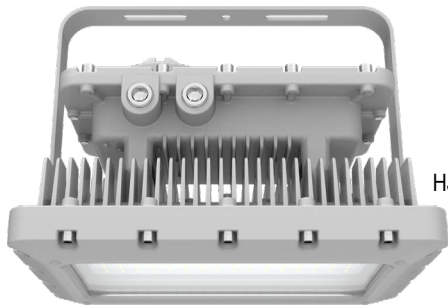
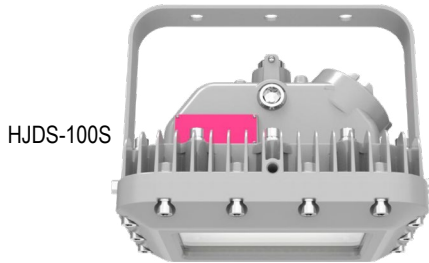
The DOMINATOR™

Hazardous Location LED Lighting



SELECTABLE

COLOR TEMPERATURE & POWER



High Vibration RESISTANCE

Cat. #	Type
Notes	

CERTIFICATIONS / RATINGS



UL844

CERTIFIED UL 1598

MARINE UL 1598 A

IP66



CLASS / DIVISION

- Class I, Div 1, Groups B, C, D
- Class I, Div 2, Groups A, B, C, D
- Class II, Div 1, Groups E, F, G
- Class II, Div 2, Groups F, G
- Class III

KEY FEATURES AND BENEFITS

- Hazardous Location lighting with selectable CCT and power.
- Ideal choice for high moisture, dirty, corrosive, windy, snowy, high temperature or high vibration environments (Vibration 3G certified).
- Round access cover for easy and convenient wiring.
- Marine rated powder coated finish for high corrosion resistance.
- Emergency battery available for larger model - 8W.
- IK10 impact rated.
- Conveniently set color temperature and wattage with DIP switches.
- 1-10V Dimming.
- 500 hours salt spray test passed.

SPECIFICATIONS

Voltage	120-277VAC / 277-480VAC
Wattage	(60W / 80W / 100W) (Selectable) (120W / 150W / 200W) (Selectable)
Color Temp	4000 / 5000 / 6500 Kelvin (Selectable)
Housing	Die-cast aluminum
Color	Gray
Lens	Tempered glass / polycarbonate
Efficacy	140-160 Lm/W
Power Factor	> 0.95
CRI	> 70
Beam Angles	40° / 60° / 90° / 120° / Type II / Type III / Type V
Protection	IP66 / IK10

Entry 3/4" NPT (X3)
Warranty 5 Year Limited Warranty

AMBIENT TEMPERATURE / T-RATING

Model	Class/Div	Ambient Temperature	T-Rating
HJDS-100S	CID1 / CID2	-40°C (-40°F) to 55°C (131°F)	T4A
	CIID1 / CIID2 / CIII	-40°C (-40°F) to 55°C (131°F)	T5
HJDS-200S	CID1 / CID2	-40°C (-40°F) to 50°C (122°F)	T5
	CIID1 / CIID2 / CIII	-40°C (-40°F) to 40°C (104°F)	T5

LUMENS

60W	80W	100W	120W	150W	200W
8,000	10,400	12,800	19,300	24,000	31,600

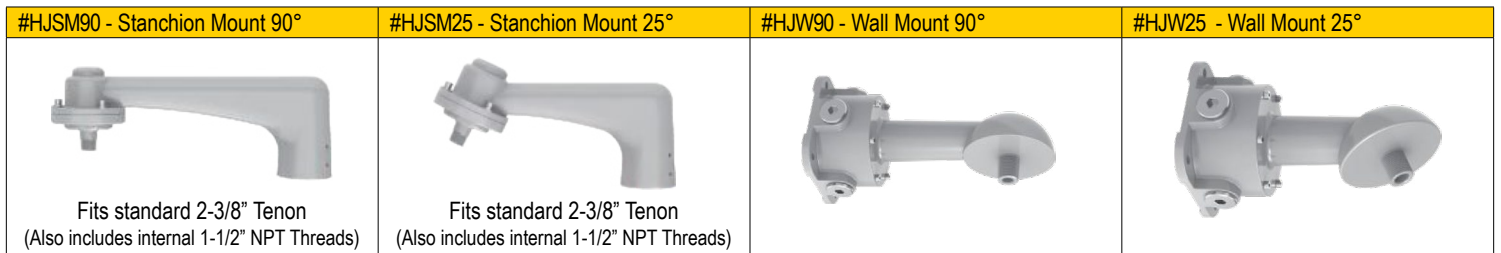
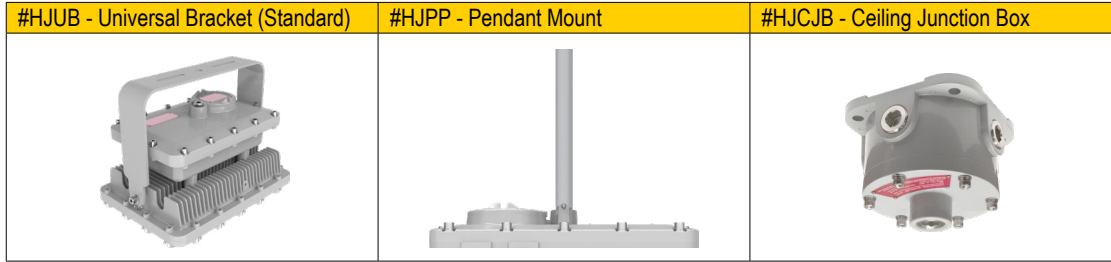
PRODUCT ORDERING SELECTION

HJDS	<input type="text"/>	456K	<input type="text"/>	<input type="text"/>	<input type="text"/>	<input type="text"/>
Series	Watts (Selectable)	Kelvin (Selectable)	Beam Angle	Lens / Wire Guard	Mounting Options	Other Options
<input checked="" type="checkbox"/> HJDS	<input type="checkbox"/> 100S - 60W/80W/100W <input type="checkbox"/> 200S - 120W/150W/200W	<input checked="" type="checkbox"/> 456K - 4K/5K/6.5K <input type="text"/>	<input type="checkbox"/> 120 - 120°(std) <input type="checkbox"/> 90 <input type="checkbox"/> 60 <input type="checkbox"/> 40 <input type="checkbox"/> T2 - Type II <input type="checkbox"/> T3 - Type III <input type="checkbox"/> T5 - Type V	<input type="checkbox"/> CG - Clear Flat Glass(Std) <input type="checkbox"/> FG - Frosted Flat Glass <input type="checkbox"/> CP - Clear Convex PC** <input type="checkbox"/> FP - Frosted Convex PC** ** HJDS-100S Only	<input type="checkbox"/> HJUB - Universal Bracket (std) <input type="checkbox"/> HJPP - Pendant Mount <input type="checkbox"/> HJCJB - Ceiling Junction Box <input type="checkbox"/> HJSM90 - Stanchion Mount 90° <input type="checkbox"/> HJSM25 - Stanchion Mount 25° <input type="checkbox"/> HJW90 - Wall Mount 90° <input type="checkbox"/> HJW25 - Wall Mount 25°	<input type="checkbox"/> EM - Emergency Battery 8W (HJDS-200S Only)

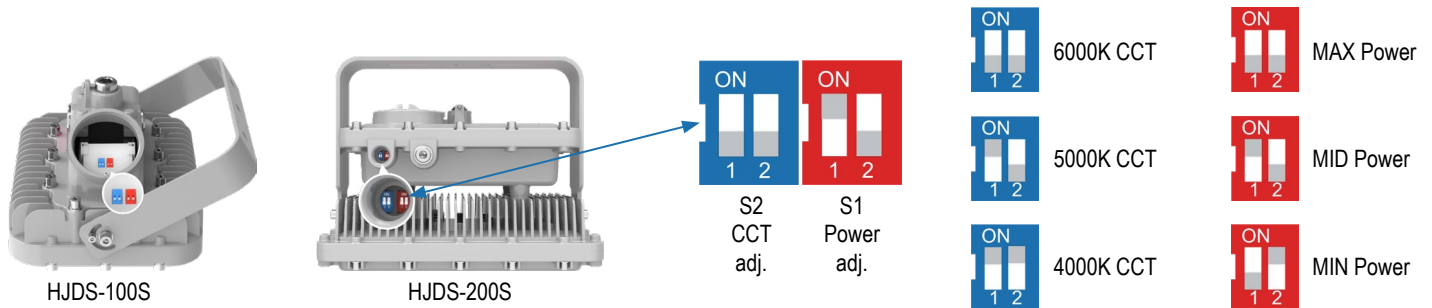
HJDS Series

The DOMINATOR™

MOUNTING OPTIONS



SELECTABLE CCT AND POWER



WEIGHTS AND DIMENSIONS

