

HAFR Series

The FOREMAN™ 2

Hazardous Location LED Lighting



Cat. #	Type
Notes	

CERTIFICATIONS / RATINGS



CLASS / DIVISION

- Class I, Div 2, Groups A, B, C, D
- Class II, Div 1, Groups E, F, G
- Class II, Div 2, Groups F, G
- Class III

KEY FEATURES AND BENEFITS

- Hazardous location LED high bay light with six mounting options.
- Replaces High Pressure Sodium (HPS) up to 700W.
- Marine grade copper-free aluminum housing with stainless steel fasteners.
- Type V / Type III / Type I light distribution patterns available.
- Optional stainless steel wire guard.
- 90 minute emergency mode internal battery option (50W model).
- 1-10V dimmable option.
- 6' cable included.

SPECIFICATIONS

Voltage	100-277VAC / 277-480VAC
Wattage	30W / 50W / 75W / 100W / 120W / 150W / 180W / 200W / 240W
Color Temp	5000 / 4000 Kelvin
Housing	Coated copper-free aluminum alloy
Color	Gray
Lens	Tempered glass
Lifetime	100,000+ hours L70 @85°C
CRI	70
Beam Angles	Type V (std) / Type III / Type I
Protection	IP66 / NEMA 4X / IK08
Warranty	5 Year Limited Warranty

Model	Lumens	Ambient Temperature	T-Rating
HAFR-030	4,200	-40°C (-40°F) to 65°C (149°F)	T5
HAFR-050*	7,000	-40°C (-40°F) to 60°C (140°F)*	T6
HAFR-075	10,500	-40°C (-40°F) to 60°C (140°F)	T5
HAFR-100	14,000	-40°C (-40°F) to 60°C (140°F)	T5
HAFR-120	16,800	-40°C (-40°F) to 65°C (149°F)	T5
HAFR-150	21,000	-40°C (-40°F) to 55°C (131°F)	T5
HAFR-180	25,200	-40°C (-40°F) to 45°C (113°F)	T5
HAFR-200	28,000	-40°C (-40°F) to 45°C (113°F)	T5
HAFR-240	33,600	-40°C (-40°F) to 45°C (113°F)	T5

*Ambient temperature range for battery equipped model is 0°C (32°F) to 60°C (140°F)

PRODUCT ORDERING SELECTION

HAFR - [] - [] - [] - [] - [] - []

Series	Watts	Kelvin	Voltage	Distribution Pattern	Mounting Options	Other Options
<input checked="" type="checkbox"/> HAFR	<input type="checkbox"/> 030 - 30W <input type="checkbox"/> 050 - 50W <input type="checkbox"/> 075 - 75W <input type="checkbox"/> 100 - 100W <input type="checkbox"/> 120 - 120W <input type="checkbox"/> 150 - 150W <input type="checkbox"/> 180 - 180W <input type="checkbox"/> 200 - 200W <input type="checkbox"/> 240 - 240W	<input type="checkbox"/> 50 - 5000K <input type="checkbox"/> 40 - 4000K	<input type="checkbox"/> U - 100-277VAC <input type="checkbox"/> 48 - 277-480VAC	<input type="checkbox"/> T5 - Type V (standard) <input type="checkbox"/> T3 - Type III <input type="checkbox"/> T1 - Type I	<input type="checkbox"/> PM - Pendant Mount (standard) <input type="checkbox"/> CM - Ceiling Mount <input type="checkbox"/> WM - Wall Mount <input type="checkbox"/> SM25 - Stanchion Mount 25° <input type="checkbox"/> SM90 - Stanchion Mount 90° <input type="checkbox"/> TM - Trunnion Mount	<input type="checkbox"/> EM9 - 9W Emergency Backup Battery 90min (50W models only) <input type="checkbox"/> WG - Wire Guard <input type="checkbox"/> DIM - 1-10V Dimmable

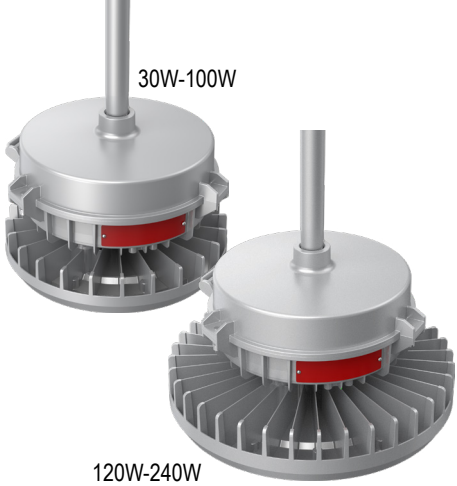

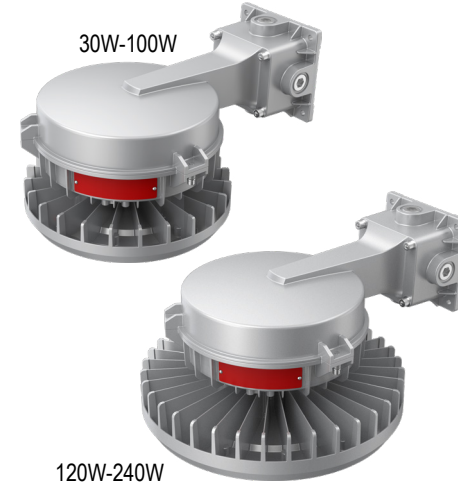


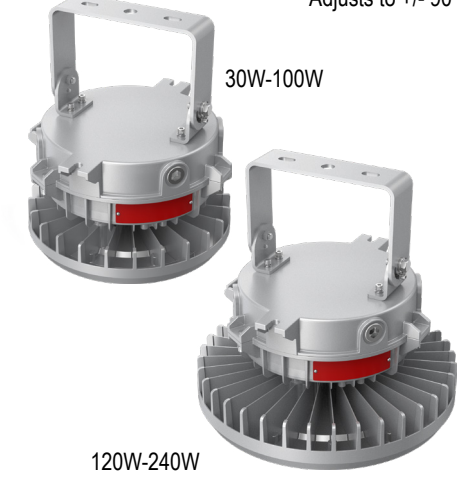


Wire Guard

HAFR Series

The FOREMAN™ 2

MOUNTING OPTIONS

#PM - Pendant Mount (standard)	#CM - Ceiling Mount	#WM - Wall Mount
 <p>30W-100W</p> <p>120W-240W</p>	 <p>30W-100W</p> <p>120W-240W</p>	 <p>30W-100W</p> <p>120W-240W</p>
#SM25 - Stanchion Mount 25°	#SM90 - Stanchion Mount 90°	#TM - Trunnion Mount
 <p>120W-240W</p> <p>30W-100W</p>	 <p>120W-240W</p> <p>30W-100W</p>	 <p>Adjusts to +/- 90°</p> <p>30W-100W</p> <p>120W-240W</p>



120W-240W ceiling mounted model shown with optional wire guard.

HAFR Series

The FOREMAN™ 2

WEIGHTS AND DIMENSIONS

WEIGHTS

	30W-100W	120W-240W
Pendant Mount	13.45 lb	20.72 lb
Ceiling Mount	14.33 lb	21.38 lb
Wall Mount	18.74 lb	25.79 lb
Stanchion Mount 25°	16.76 lb	23.80 lb
Stanchion Mount 90°	17.20 lb	24.47 lb
Trunnion Mount	17.86 lb	24.91 lb

