

HJQR Series

The FOREMAN™ 2

Hazardous Location LED Lighting



100W - 200W



20W - 80W

High Vibration
RESISTANCE

Cat. #	Type
Notes	

CERTIFICATIONS / RATINGS



CLASS / DIVISION

- Class I, Div 2, Groups A, B, C, D
- Class II, Div 1, Groups E, F, G
- Class II, Div 2, Groups F, G
- Class III

KEY FEATURES AND BENEFITS

- Versatile mounting options.
- Up to 24,000 lumens.
- IK08 impact rated / IK10 rated with optional wire guard.
- 2 lens options and 4 beam angle options available.
- Optional 180 minute EM battery option.
- 0-10v dimming option available.
- 3G vibration test passed.

Optional wire guard



SPECIFICATIONS

Voltage	120-277 VAC / 200-480 VAC
Wattage	20W / 40W / 60W / 80W / 100W / 150W / 200W
Color Temp	4000 / 5000 Kelvin
Housing	Coated copper free aluminum alloy
Color	Gray
Lens	Tempered glass
CRI	>70
Beam Angles	120° / 90° / 60° / 40°
Power Factor	> 0.95
Protection	IP66
Warranty	5 Year Limited Warranty

AMBIENT TEMPERATURE

Models	Ambient Temperature	T-Rating
20W / 40W / 60W / 80W / 100W	-40°C ~ +40°C (-40°F ~ 104°F)	T6
	-40°C ~ +55°C (-40°F ~ 131°F)	T5
150W 120-277 VAC	-40°C ~ +40°C (-40°F ~ 104°F)	T5
150W 200-480 VAC	-40°C ~ +40°C (-40°F ~ 104°F)	T6
	-40°C ~ +55°C (-40°F ~ 131°F)	T5
200W	-40°C ~ +40°C (-40°F ~ 104°F)	T4A

LUMENS

20W	40W	60W	80W	100W	150W	200W
2,600	5,200	7,800	10,400	13,000	19,500	24,000

PRODUCT ORDERING SELECTION



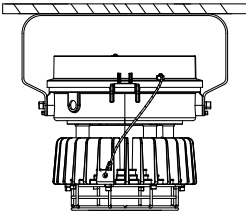
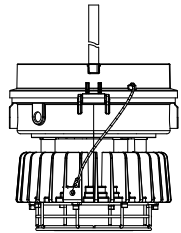

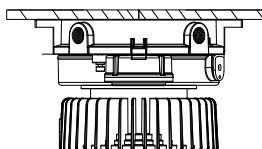
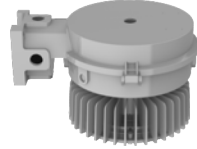
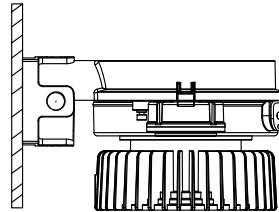

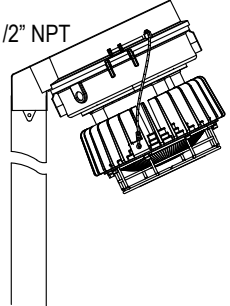
HJQR2 - [] - [] - [] - [] - [] - [] - []

Series	Watts	Kelvin	Voltage	Lens	Beam Angle	Mounting Options	Other Options
<input checked="" type="checkbox"/> HJQR2	<input type="checkbox"/> 020 - 20w <input type="checkbox"/> 040 - 40w <input type="checkbox"/> 060 - 60w <input type="checkbox"/> 080 - 80w <input type="checkbox"/> 100 - 100w <input type="checkbox"/> 150 - 150w <input type="checkbox"/> 200 - 200w	<input type="checkbox"/> 40 - 4000K <input type="checkbox"/> 50 - 5000K	<input type="checkbox"/> U - 120-277 VAC <input type="checkbox"/> 48 - 200-480 VAC	<input type="checkbox"/> FG - Flat Glass <input type="checkbox"/> CG - Convex Glass	<input type="checkbox"/> 120 - 120° <input type="checkbox"/> 90 - 90° <input type="checkbox"/> 60 - 60° <input type="checkbox"/> 40 - 40°	<input type="checkbox"/> BPM - Bracket / Pendant Mount <input type="checkbox"/> CM - Ceiling Mount <input type="checkbox"/> WM - Wall Mount <input type="checkbox"/> SM - Stanchion Mount - 25°	<input type="checkbox"/> WG - Wire Guard <input type="checkbox"/> DIM - 0-10v Dimmable <input type="checkbox"/> EM - EM Battery Backup* *180 min / 120-277VAC only

HJQR Series

The FOREMAN™ 2

MOUNTING OPTIONS

#BM - Bracket / Pendant Mount	#CM - Ceiling Mount	#WM - Wall Mount	#SM - Stanchion Mount - 25°
<p>Bracket included standard Pendant not included, order separately</p>    	 	 	 <p>1-1/2" NPT</p> 

LENS OPTIONS

#FG - Flat Glass	#CG - Convex Glass
	

WEIGHTS AND DIMENSIONS

WEIGHTS

Mount Type	20W	100W
	~80W	~200W
Bracket / Pendant*	15.4 lb	22.5 lb
Ceiling Mount	14.6 lb	21.6 lb
Wall Mount	15.7 lb	22.5 lb
Stanchion Mount	15.0 lb	22.1 lb

* Does not include weight of pendant.

