

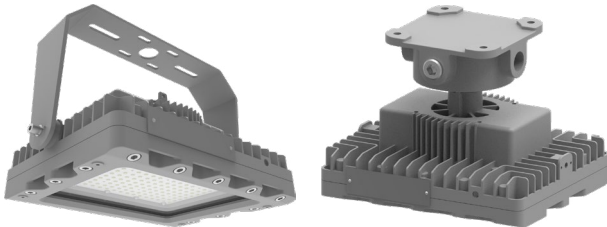
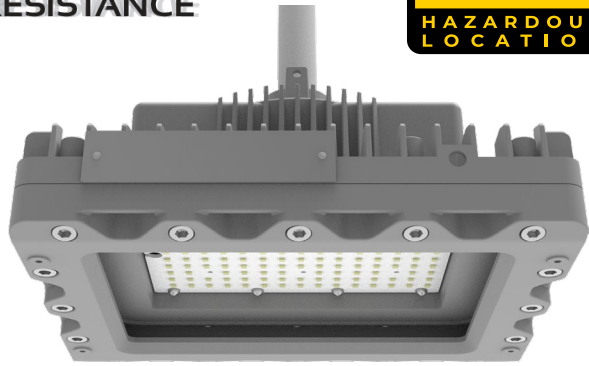
# HGMM Series

## The MINI MAX™

Hazardous Location LED Lighting

Cat. #	Type
Notes	

High Vibration  
RESISTANCE



Small Footprint / Low Profile  
8.5" x 10" x 5"

### CERTIFICATIONS / RATINGS



### CLASS / DIVISION

- Class I, Div 1, Groups B, C, D
- Class I, Div 2, Groups A, B, C, D
- Class II, Div 1, Groups E, F, G
- Class III

### KEY FEATURES AND BENEFITS

- Small footprint, low profile hazardous location LED fixture - 8.5" x 10" x 5".
- Built for reliability in high vibration and shock environments (5G shock certified).
- Ambient temperature rated -40°C (-40°F) to 65°C (149°F).
- Highly efficient 160 lumens per watt.
- Multiple beam patterns available.
- Versatile mounting styles available.
- 10kV surge protection included standard.
- 1-10 VDC dimming.
- Tested 1000 hours salt spray to standard ASTM"B117-11" / Marine UL1598A

### SPECIFICATIONS

<b>Voltage</b>	100-277 VAC / 347-480 VAC
<b>Wattage</b>	20W / 40W / 60W
<b>Color Temp</b>	5000 / 4000 / 3000 Kelvin
<b>Housing</b>	Coated copper free aluminum alloy
<b>Color</b>	Gray
<b>Lens</b>	Tempered glass (clear or frosted)
<b>Ambient Temperature</b>	-40°C (-40°F) to 65°C (149°F)
<b>T-Rating</b>	(CID1 - T6) / (CID2/CIID1 - T4A)
<b>Efficacy</b>	160 lm/W

<b>Lifetime</b>	150,000 hrs L70 @25°C
<b>Beam Angles</b>	110° / 90° / 60° / 30° / Type II / Type III / Type IV
<b>CRI</b>	>70
<b>Power Factor</b>	>0.95
<b>Protection</b>	IP66 / IP67 / NEMA 4X
<b>Warranty</b>	5 Year Limited Warranty

#### LUMENS

20W	40W	60W
3,200	6,400	9,600

### PRODUCT ORDERING SELECTION

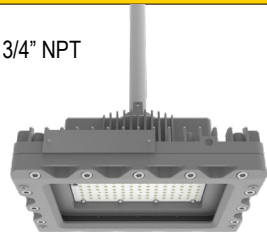
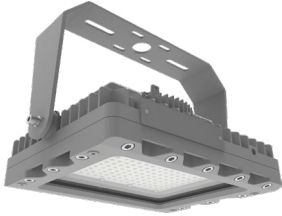
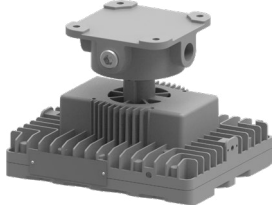
<input type="text"/>	-	<input type="text"/>	-	<input type="text"/>	-	<input type="text"/>	-	<input type="text"/>	-	<input type="text"/>	-	<input type="text"/>
<b>Series/Length</b>	<b>Watts</b>	<b>Kelvin</b>	<b>Voltage</b>	<b>Lens (Glass)</b>	<b>Beam Angle</b>	<b>Mounting Options</b>	<b>Other Options</b>					
<input type="checkbox"/> HGMM1 Class I, Div 1	<input type="checkbox"/> 020 - 20W <input type="checkbox"/> 040 - 40W <input type="checkbox"/> 060 - 60W	<input type="checkbox"/> 50 - 5000K <input type="checkbox"/> 40 - 4000K <input type="checkbox"/> 30 - 3000K	<input type="checkbox"/> U - 100-277VAC <input type="checkbox"/> 48 - 347-480VAC* *60W only	<input type="checkbox"/> TG - Clear <input type="checkbox"/> FG - Frosted	<input type="checkbox"/> 110 - 110° <input type="checkbox"/> 90 - 90° <input type="checkbox"/> 60 - 60° <input type="checkbox"/> 30 - 30° <input type="checkbox"/> T2 - Type II <input type="checkbox"/> T3 - Type III <input type="checkbox"/> T4 - Type IV	<input type="checkbox"/> PD - Pendant Mount <input type="checkbox"/> TB2 - Trunnion Bracket <input type="checkbox"/> CJB - Ceiling Junction Box <input type="checkbox"/> W25 - 25° Wall Mount <input type="checkbox"/> W90 - 90° Wall Mount <input type="checkbox"/> S25B - 25° Stanchion <input type="checkbox"/> S90B - 90° Stanchion	<input type="checkbox"/> WG - Wire Guard <input type="checkbox"/> SP20 - 20KV Surge Protection <input type="checkbox"/> VS2 - Dark Sky Visor <input type="checkbox"/> SC2 - Safety Cable <input type="checkbox"/> PBC48° - Pole Clamps 1-7/8" <input type="checkbox"/> PBC60° - Pole Clamps 2-3/8" <input type="checkbox"/> PS* - Pole Tenon Adapter					

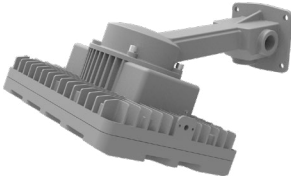
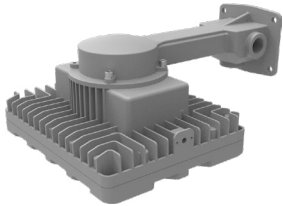
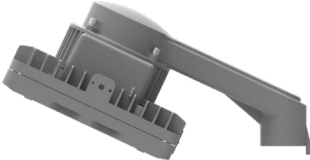
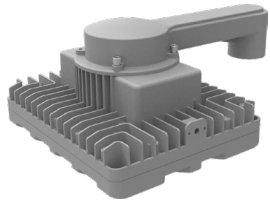
\*Requires TB2 Trunnion Bracket

# HGMM Series




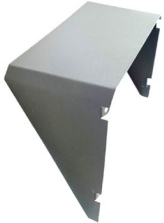
## The MINI MAX™

### MOUNTING OPTIONS

#PD - Pendant Mount	#TB2 - Trunnion Bracket	#CJB - Ceiling Junction Box
<p>3/4" NPT</p>  <p>Pendant pipe supplied by others</p>		

#W25 - 25° Wall Mount	#W90 - 90° Wall Mount	#S25B - 25° Stanchion	#S90B - 90° Stanchion
		 <p>1-1/2" NPT Threaded</p>	 <p>1-1/2" NPT Threaded</p>

### OTHER OPTIONS

#PBC48 - Pole Clamps 1-7/8"	#PBC60 - Pole Clamps 2-3/8"	#PS - Pole Tenon Adapter	#VS2 - Dark Sky Visor
<p>For 1-7/8" Pole</p>  <p>Requires Trunnion Bracket</p>	<p>For 2-3/8" Pole</p>  <p>Requires Trunnion Bracket</p>	 <p>Fits standard 2-3/8" Tenon Requires Trunnion Bracket</p>	

### WEIGHTS AND DIMENSIONS

#### WEIGHT

11.5 lb

