

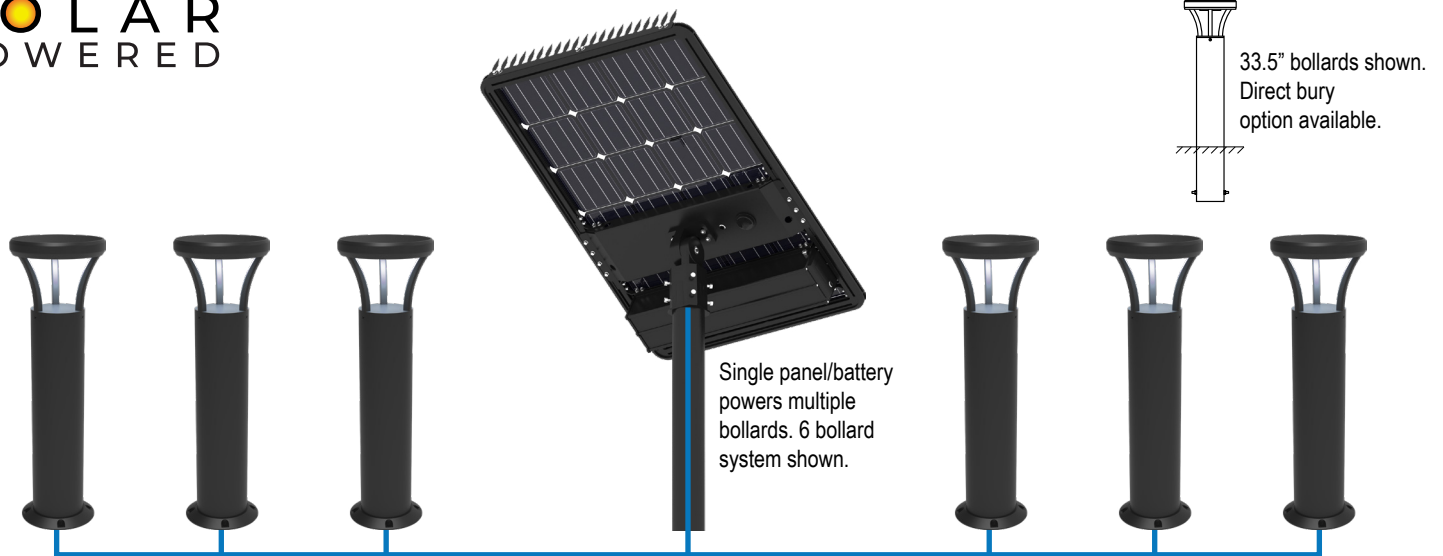
# SOCO Series

## SOLAR CONSTELLATION™

Solar Powered LED Bollard System

|        |      |
|--------|------|
| Cat. # | Type |
| Notes  |      |

SOLAR  
POWERED



### SPECIFICATIONS

|                            |   |
|----------------------------|---|
| <b>Lumens</b>              | 450 lm (per bollard)                                |
| <b>LED Wattage</b>         | 2.5 W (per bollard)                                 |
| <b>Beam Angles</b>         | Type V / Type III                                   |
| <b>Color Temp</b>          | Selectable 3000K/5000K, 3000K/4000K or 5000K/Amber  |
| <b>Housing</b>             | Die-cast aluminum with marine grade coating         |
| <b>Ambient Temperature</b> | -20°C (-4°F) to 60°C (140°F)                        |
|                            | -40°C (-40°F) to 60°C (140°F) w/ battery warmer     |
| <b>Lifetime</b>            | >50,000 hrs L80                                     |
| <b>Color</b>               | Black   |
| <b>Solar Panel</b>         | Bi-facial Mono-Crystalline 18V 160W                 |
| <b>Battery Type</b>        | 12V Li-ion  |
| <b>Battery Capacity</b>    | 135.2 Ah  |
| <b>Working Time</b>        | 7-8 Days (6 bollard system - overcast / no sun)     |
| <b>Charging Time</b>       | 10-11 hours   |
| <b>Warranty</b>            | 3 Year (System) / 2 Year (Battery) Limited Warranty |

### KEY FEATURES AND BENEFITS

Solar powered multiple bollard system perfect for lighting walkways, parks, bike lanes, remote areas, golf courses, beach resorts, marinas, residential areas and more. The solar panel is placed in its own location for optimal sun exposure so bollards can be placed where they are needed.

- Optional heated battery for cold environment operation (down to -40°C / -40°F).
- 450 lumen max output (per bollard).
- **Selectable** color temperature (3K/5K), (3K/4K) or (5K/Turtle Friendly Amber).
- Ultra efficient 180 lumens per watt.
- Dusk to dawn operation.
- Automatic energy management reduces power to allow for longer operating time on continuous rainy/cloudy days.
- Die-cast housing with marine class coating.
- Direct bury bollard option.

### CERTIFICATIONS / RATINGS



### PRODUCT ORDERING SELECTION

SOCO - [ ] - [ ] - [ ] - [ ] - [ ]

| Series                                   | No. Of Bollards                           | Kelvin (Selectable)                            | Lens                                   | Height                                      | Options  |
|--|---|--|--|---|--|
| <input checked="" type="checkbox"/> SOCO | <input type="checkbox"/> 03 - 3 Bollards* | <input type="checkbox"/> 3050S - 3000K / 5000K | <input type="checkbox"/> T5 - Type V   | <input type="checkbox"/> 33 - 33.5 in (std) | <input type="checkbox"/> DB - Direct Bury Bollard (33.5 in height only)                                      |
|  | <input type="checkbox"/> 06 - 6 Bollards* | <input type="checkbox"/> 3040S - 3000K / 4000K | <input type="checkbox"/> T3 - Type III | <input type="checkbox"/> 21 - 21.5 in       | <input type="checkbox"/> PTC - Battery Warmer - Positive Temperature Coefficient (for cold climates / -40°C) |
|  | <input type="checkbox"/> 07 - 7 Bollards* | <input type="checkbox"/> 50AMS - 5000K / Amber |  |   | <input type="checkbox"/> BG - Bird Guard Spikes (solar panel)  |
|  | <input type="checkbox"/> 08 - 8 Bollards* | (Amber color is turtle friendly)               |  |   | <input type="checkbox"/> DBPOLE3X8 - 3" Diameter / 8' Height Above Ground Direct Bury Pole (for solar panel) |

\*Specify each cable length when ordering. Maximum combined total length is 260 ft.

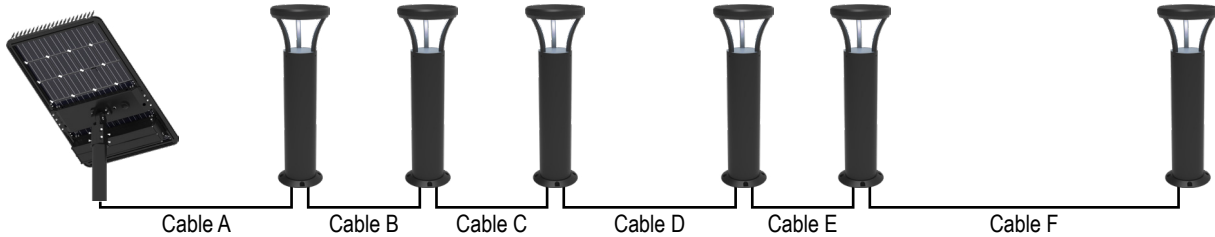
# SOCO Series

## SOLAR CONSTELLATION™

### SYSTEM CONFIGURATION

System can be configured with up to 10 bollards per solar panel. Each length of cable must be specified when ordering. Max total cable length must not exceed 260'

#### 6 Bollard System Example



Total length of Cables A through F must not add up to more than 260 feet. Specify each length of cable when ordering system.

### BATTERY WARMER OPTION (PTC)



The optional PTC battery warmer is recommended in locations where winter temperatures reach 0°C / 32°F. Even with the battery warmer option, the Solar Constellation System is not recommended for temperatures below -40°C / -40°F.

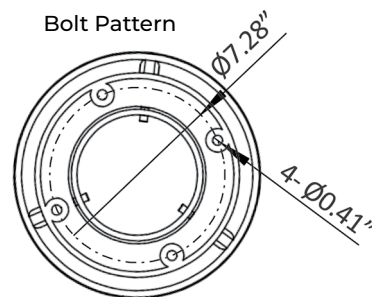
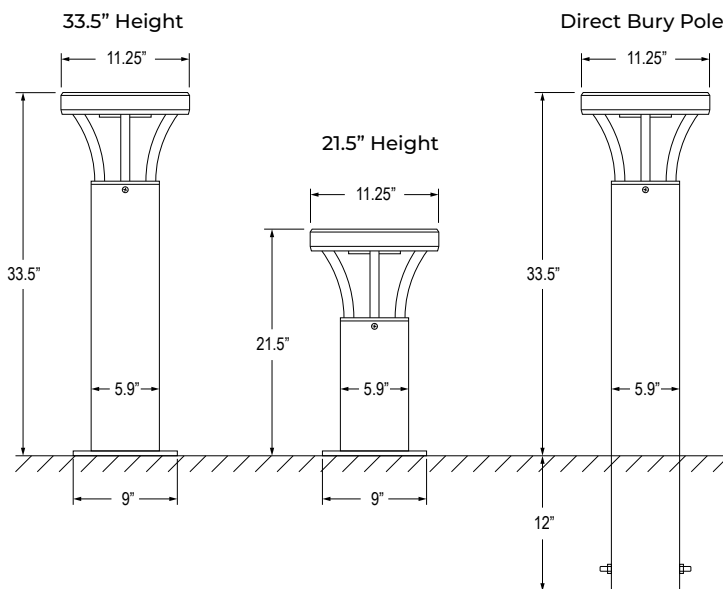
**Zone 1** - PTC Battery warmer recommended.

Do not install in locations where temperatures go below -40°C / -40°F)

**Zone 2** - PTC Battery warmer recommended.

**Zone 3** - PTC Battery warmer not necessary.

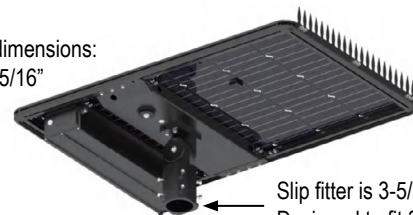
### WEIGHTS AND DIMENSIONS



#### WEIGHTS (per bollard)

| Configuration       | lbs     |
|---------------------|---------|
| 33.5" Height        | 14.4 lb |
| 21.5" Height        | 11.1 lb |
| w/ Direct Bury Pole | 19.9 lb |

Solar panel dimensions:  
41-3/4" x 32-5/16"



Slip fitter is 3-5/16" ID.  
Designed to fit 3" OD pipe/pole.