

# WPM/WPL Series

## FULL CUT-OFF WALL PACK LED Outdoor Lighting



5935 West 84th St. | Indianapolis, IN 46278 | 1-800-840-5635 | www.SolasRay.com

Cat. #	Type
Notes	



**WPL Series**  
Large Full Cut-Off Wall Pack



**WPM Series**  
Medium Full Cut-Off Wall Pack

### CERTIFICATIONS / RATINGS



**IP66** CERTIFIED  
**UL 1598**

### KEY FEATURES AND BENEFITS

- Full cut-off wall packs available in two sizes and size wattages.
- Specially designed Type IV wide forward throw optical distribution.
- Designed to replace HID lighting systems up to 400W.
- Typical mounting heights of 12 to 35 feet based upon light level and uniformity requirements.
- Tough die-cast aluminum housing with powder-coat finish.
- Optional photocell available.
- Optional microwave occupancy sensor available.
- Optional 90 minute battery backup available.
- Listed for wet locations.
- Buy American Act compliant.



### SPECIFICATIONS

<b>Voltage</b>	120-277 VAC / 347-480VAC
<b>Wattage</b>	28W / 42W / 84W / 93W / 131W / 188W
<b>Color Temp</b>	5000 / 4000 Kelvin
<b>Housing</b>	Die cast aluminum
<b>Lens</b>	Clear one-piece polycarbonate
<b>Beam Angle</b>	Type IV
<b>Ambient Temperature</b>	-40°C (-40°F) to 50°C (122°F) (40°C max temp with battey option)
<b>Lifetime</b>	>100,000 hrs L70
<b>CRI</b>	80
<b>Power Factor</b>	>0.90

<b>Color</b>	Bronze powder-coat over chromate conversion coating
<b>Protection</b>	IP66
<b>Warranty</b>	5 Year Limited Warranty

### LUMENS

Kelvin	WPM Series			WPL Series		
	28W	42W	84W	93W	131W	188W
<b>5000K</b>	3,454	4,604	9,278	10,402	14,049	20,704
<b>4000K</b>	3,167	4,459	9,166	9,700	13,636	20,327

### PRODUCT ORDERING SELECTION

<input type="checkbox"/>	-	<input type="checkbox"/>	-	<input type="checkbox"/>	-	<input type="checkbox"/>	-	<b>Z</b>	-	<input type="checkbox"/>
--------------------------	---	--------------------------	---	--------------------------	---	--------------------------	---	----------	---	--------------------------

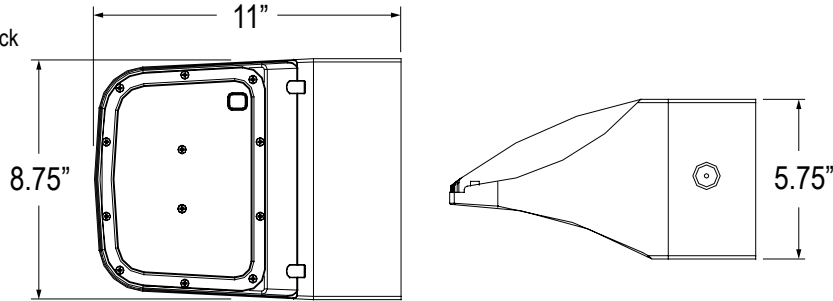
<b>Series</b>	<b>Watts</b>	<b>Kelvin</b>	<b>Voltage</b>	<b>Color</b>	<b>Options</b>
<input type="checkbox"/> WPM	<input type="checkbox"/> 28 - 28W <input type="checkbox"/> 42 - 42W <input type="checkbox"/> 84 - 84W	<input type="checkbox"/> 50 - 5000K (standard) <input type="checkbox"/> 40 - 4000K	<input type="checkbox"/> U - 120-277 VAC <input type="checkbox"/> 48 - 347-480 VAC	<input checked="" type="checkbox"/> Z - Bronze	<input type="checkbox"/> SF - Single Fuse (120-277 VAC Only) <input type="checkbox"/> DF - Double Fuse (120-277 VAC Only) <input type="checkbox"/> SP - Surge Protection <input type="checkbox"/> R3 - 3-Pin Twist Lock Photocell Receptacle <input type="checkbox"/> R7 - 7-Pin ANSI C136.42-2013 Photocell Receptacle <input type="checkbox"/> PC3 - Photocell, 120-277 VAC <input type="checkbox"/> S23 - Internal Microwave Sensor With Dimming For Mounting Heights Of 25' Or Less (120-277 VAC Only) <input type="checkbox"/> BU - Battery Backup, 90 Minutes (not available for 84 and 188 watt models)
<input type="checkbox"/> WPL	<input type="checkbox"/> 93 - 93W <input type="checkbox"/> 131 - 131W <input type="checkbox"/> 188 - 188W				

# WPM/WPL Series

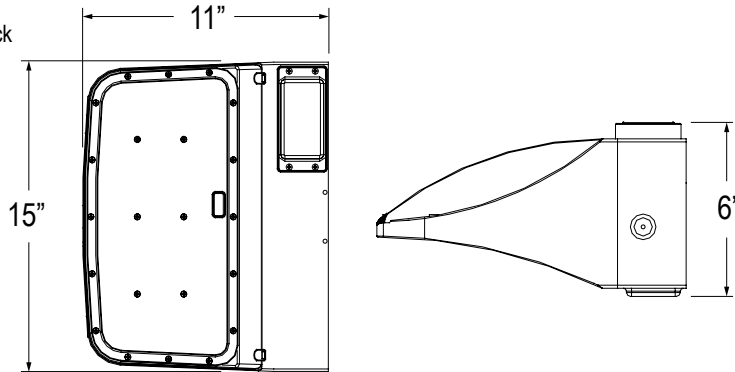
## FULL CUT-OFF WALL PACK

### DIMENSIONS

**WPM Series**  
Medium Full Cut-Off Wall Pack



**WPL Series**  
Large Full Cut-Off Wall Pack



### BACKLIGHT, UPLIGHT, GLARE

	28W	42W	84W	93W	131W	188W
<b>BACKLIGHT (B)</b>	1	1	2	3	3	3
<b>UPLIGHT (U)</b>	1	1	1	3	0	0
<b>GLARE (G)</b>	1	1	2	3	3	3