

SPECIFICATIONS

# LED hazloc LINEAR LIGHTING

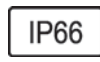
120-277 & 347-480 Voltage

## THE Protector



### KEY FEATURES

- Copper Free aluminum fixture for LED heat dissipation and thermal control.
- Excellent Lighting Efficiency up to 130 Lumens per Watt.
- 2 LED arrays - 40 watts (2 ft.) & 80 watts (4 ft.).
- Meanwell Driver.



**Class I  
Division 2**  
Groups A, B, C & D  
Flammable Gases & Vapors



**Class II  
Division 1**  
Groups E, F & G  
Combustible Dusts

AMBIENT TEMPERATURE  
**50°C / 122°F**

*Slim profile, light weight, Explosion-Proof LED Linear Fixtures designed for use in Hazardous Locations. Flexible mounting applications: Ceiling Mount, Wall Mount, Hanging Chain and Stanchion (Pole) Mount – a cost effective solution for industrial and commercial use.*

## THE Protector

CATALOG NUMBER	NAME	DESCRIPTION
HNL2-040-50-U-X	Protector 2	40 Watts 120-277v 4K5K 5,450 Lm
HNL2-040-50-48-X	Protector 2	40 Watts 347-480v 4K5K 5,450 Lm
HNL4-080-50-U-X	Protector 4	80 Watts 120-277v 4K5K 10,400 Lm
HNL4-080-50-48-X	Protector 4	80 Watts 347-480v 4K5K 10,400 Lm

- Rated Life - 100,000+ hours
- NEMA 6/6P
- CRI: >70
- 5000K
- Power Factor: >.95
- 5-Year Warranty



**ACCESS**

[SELL SHEET](#)

[IES](#) [PRODUCT LINK](#)

[PRINT](#) [VIDEO](#)

If button is inactive, the link may be in revision.

### PRODUCT ORDER SELECTION

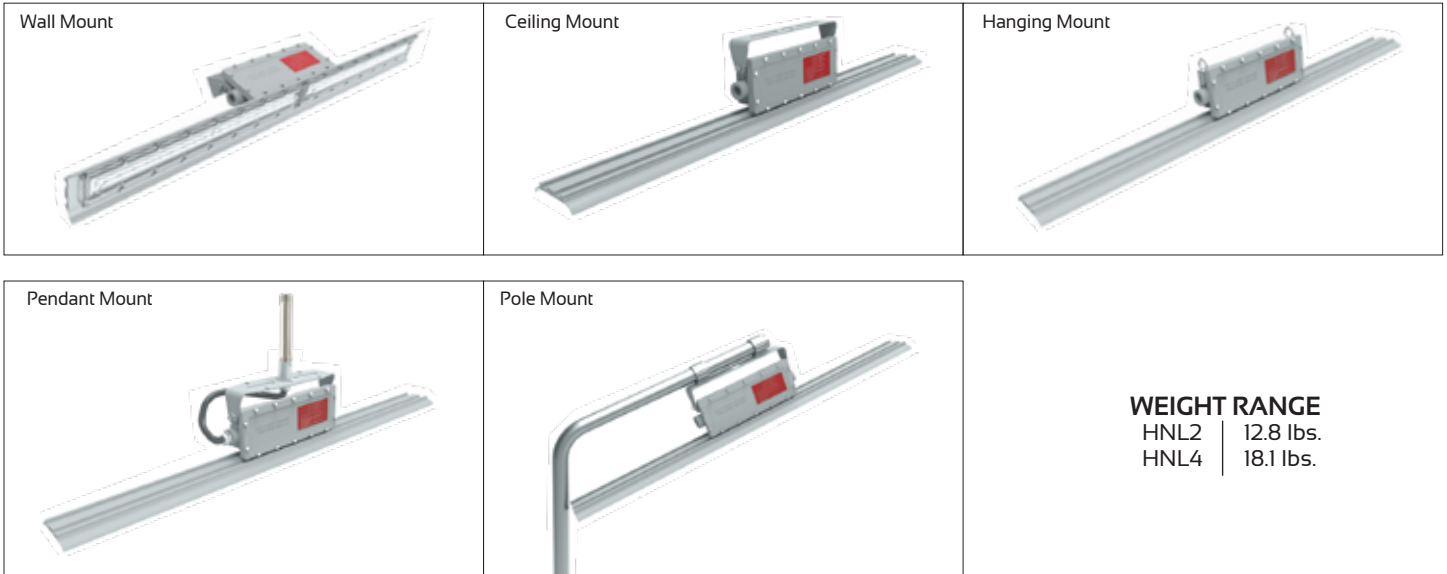
-  -  -  -  -  -

<b>Series</b>	<b>Type-Watts</b>	<b>Kelvin</b>	<b>Voltage</b>	<b>Color</b>	<b>Mounting</b>	<b>Options</b>
HNL2	<input type="checkbox"/> 040-40 watts	<input type="checkbox"/> 50-5000K (Std)	<input type="checkbox"/> 120-227	<input type="checkbox"/> NA-Nat. Aluminum (Std)	Refer to Complete List of Mounting & Options listed on Page 2. Insert the Item Code(s) Above.	
HNL4	<input type="checkbox"/> 080-80 watts	<input type="checkbox"/> 40-4000K	<input type="checkbox"/> 347-480			

Specifications and data are subject to change without notice.

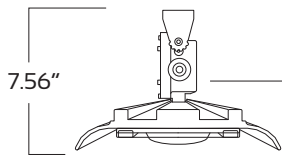
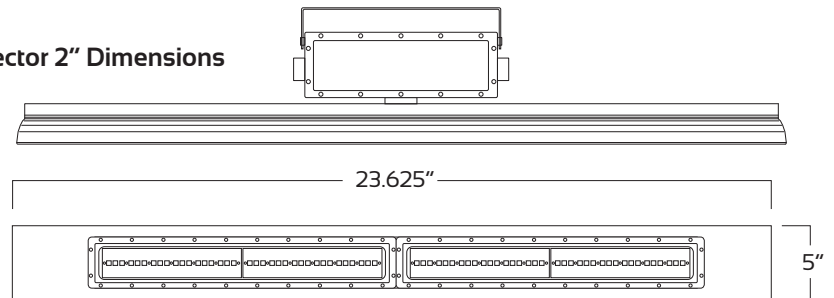
120-277 & 347-480 Voltage  
MOUNTING SYSTEMS

## THE Protector

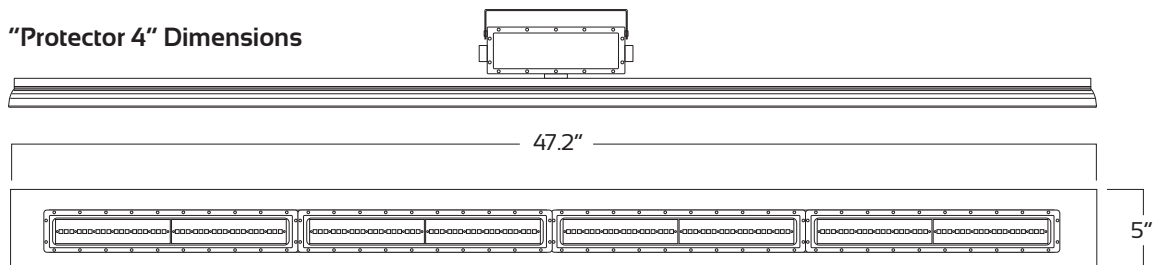


**WEIGHT RANGE**  
HNL2 | 12.8 lbs.  
HNL4 | 18.1 lbs.

"Protector 2" Dimensions



"Protector 4" Dimensions



### OPTIONS & ACCESSORIES

Specifications and data are subject to change without notice.

ITEM CODE	DESCRIPTION
<b>Mounting Options</b>	
WM	Wall Mount
CM	Ceiling Mount
HM	Hanging Mount Eye Bolts
PM3	3" Galvanized Pendant - Threaded
POM	Pendant Mount
SM	Stanchion Mount 25"

